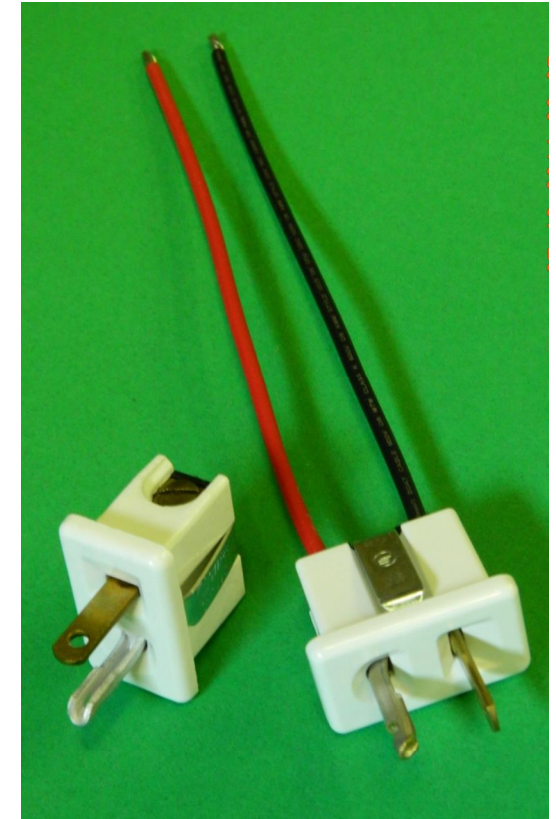
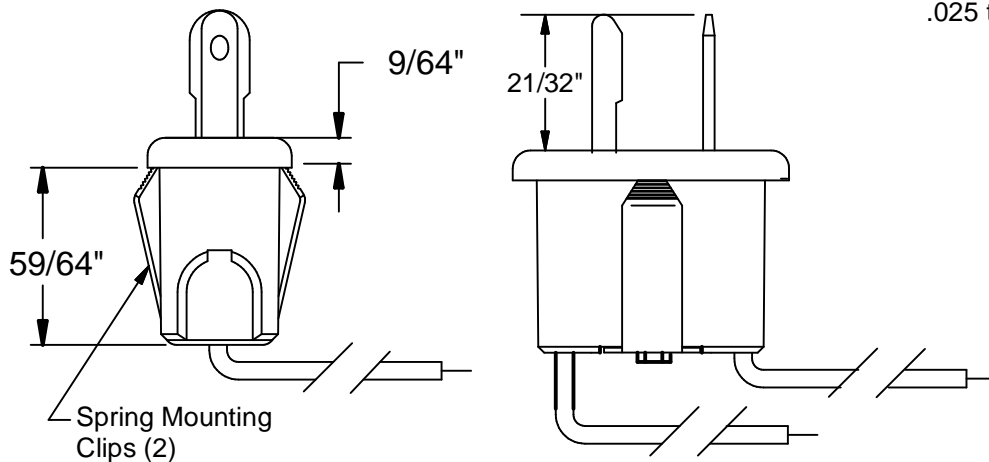


Mounting Hole

Panel Thickness
.025 to .095



Technical Data:

1. Electrical Rating: 15 Amps, 277 Vac 60 Hz; 5 Amps, 600 Vac.
2. White phenolic body.
3. Wire leads #14 Ga AWG 6" long.
4. CSA Approved: File No. LR-41020, CSA Guide No. 6233-01.
5. UL Listing #E-151097
6. Available with screw terminals, wire leads, or .250 male tabs.